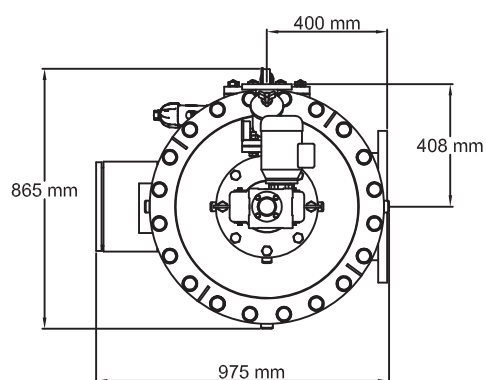


- Ⓐ Colector drenaje 2"
2" Drainage manifold
- Ⓑ Colector entrada 14"
14" Inlet manifold
- Ⓒ Colector salida 14"
14" Outlet manifold



AZUD LUXON LDB 21300 S/14

| | | | |
|---------------------------|------------------------------------|-----------------------|-------------|
| SCALE S/E A4 FORMAT | MATERIAL: | RESPONS.: M. Martínez | AZUD |
| | UNITS: mm. | REVISION: 00 | |
| | FILE: Azud_luxon_LDB_21300-S14.dwg | 08/05/2012 | |